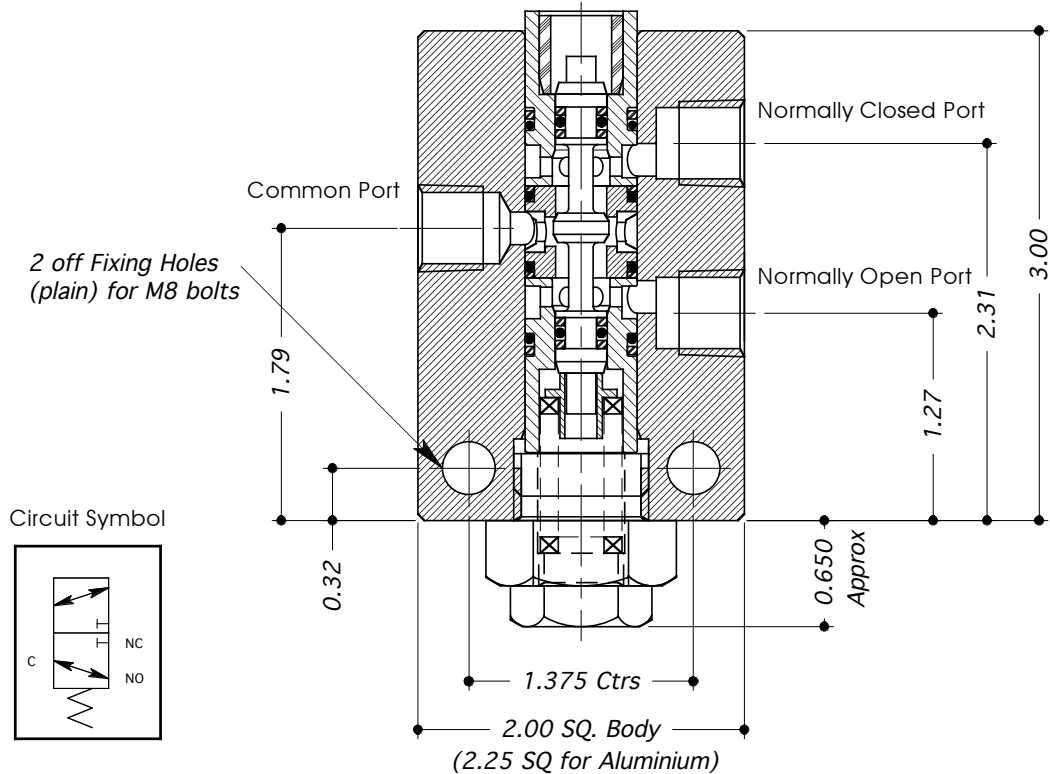


DIRECTIONAL CONTROL VALVE TYPE: 3B25-G



- 2 POSN / 3 PORTED STAINLESS STEEL (316 / 1.4404) VALVE WITH ACTUATOR OPTIONS.
- BODY MATERIAL OPTIONS: MILD STEEL - ENP (EN1A / 220M07), ALUM. ALLOY (HE30)
- SUITABLE FOR LIQUID OR GAS USE.
- FITTED WITH "SOFT" SEATS.
- ACTUATION TYPE - SEE SECTION 12 FOR DETAILS.
- ALL DIMENSIONS IN INCHES.



TECHNICAL SPECIFICATION		ORDERING EXAMPLE
Material Option (non-std)	A = Alum .Body (HE30) C = En1A/220M07 Mild Steel (E.N.P.)	—
Valve Type:	3B25	3B25
Porting / Connection Options:	P = BSP (Parallel) N = NPT (Taper) M = Manifold	N
Actuator Options	Low Press. Pilot: Types: H3 (44 to 115 psi)	H3
	High Press. Pilot: Types: H0 (400 to 1,200 psi), H1 (1,400 to 4,000 psi)	
	Mechanical: Types: C0, C1, L, DL	
Soft Seated Valve:	G	G
Max. Working Press: Liquid/Gas	6,000 psi / 3,500 psi	6K
Port Size:	1/4"	
Valve Seat Mat'l: Liquid/Gas	Torlon	
Seal Material:	Viton (other materials available by request)	
CV Value:	0.44	
Dry Weight: (kg)	1.75	
Working Temperature Range:	-10°C to +80°C	